

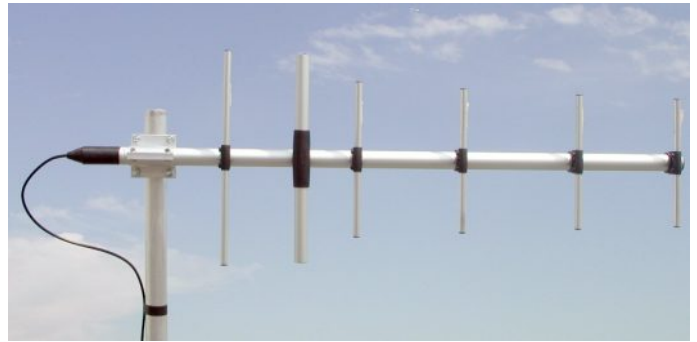
WY 380-6N

WY 400-6N

UHF Base Station 6 Elements Yagi Antennas 380-470 MHz

DESCRIPTION: Base station antennas conceived by using an innovative feed system studied and applied to have highly symmetrical radiation pattern in both planes (E and H). It's completely computer designed to get high performances of gain and front-to-back in the working band. All aluminium parts are protected by anodized treatment, hardware are of Stainless steel or zinc plated steel, mounting bracket is of extruded aluminium for the best strength and the connector is placed in rear position for an easily access. To increase the antenna gain please install it in vertical stacked array.

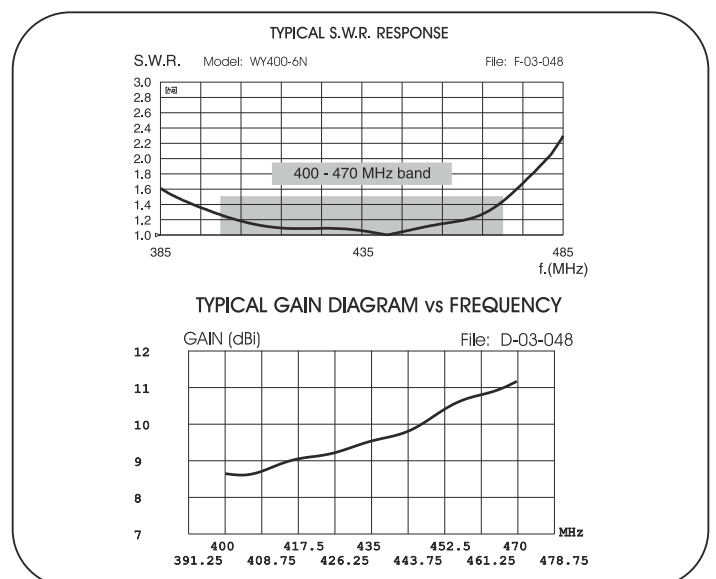
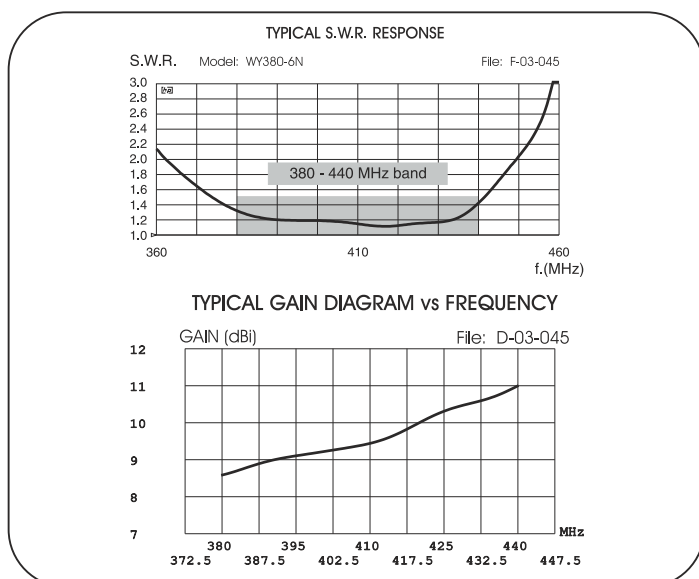
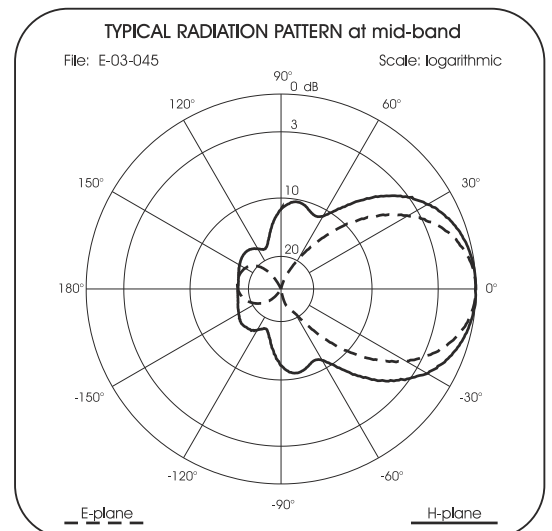
These products are Patented.



Electrical Data	WY 380-6N	WY 400-6N
Type	6 elements Yagi	
Frequency Range @ SWR ≤ 1.5	380 - 440 MHz	400 - 470 MHz
Impedance	50 Ω	
Radiation (H-plane) beamwidth @ -3 dB	70°	
Radiation (E-plane) beamwidth @ -3 dB	55°	
Front to back ratio	≥ 17 dB	
Polarization	Linear Vertical or Horizontal	
Gain	8.85 dBd - 11 dBi	
Max Power (CW) @ 30°C	150 Watts	
Grounding Protection	All metal parts are DC-grounded, the inner conductor shows a DC short	
Connector	N-female with rubber protection cap	

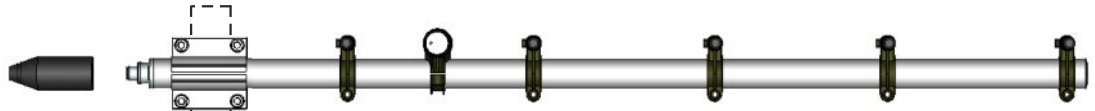
Mechanical Data

Materials	Anodized 6063-T5 Aluminium, EPDM rubber, thermoplastic UV stabilized, Chromed Brass	
Wind Load @ 150 km/h	100 N	96 N
Wind Resistance	150 Km/h; 93 mi/h	150 Km/h; 93 mi/h
Wind Surface	0.078 m ² ; 0.83 ft ²	0.075 m ² ; 0.80 ft ²
Dimensions W x H (approx.)	1180 x 400 mm; 3.9 x 1.3 ft	1130 x 375 mm; 3.7 x 1.2 ft
Turning radius (approx.)	1050 mm; 3.5 ft	1000 mm; 3.3 ft
Weight (approx.)	1540 gr; 3.5 lb	1490 gr; 3.3 lb
Operating temperature	-40° C to +60° C	
Mounting Mast	∅ 35 - 52 mm; 1.4 - 2.0 in	
Boom / Dipole / Element Diameter	∅ 32 mm; 1.3 in / ∅ 24 mm; 0.95 in / ∅ 12 mm; 0.5 in	

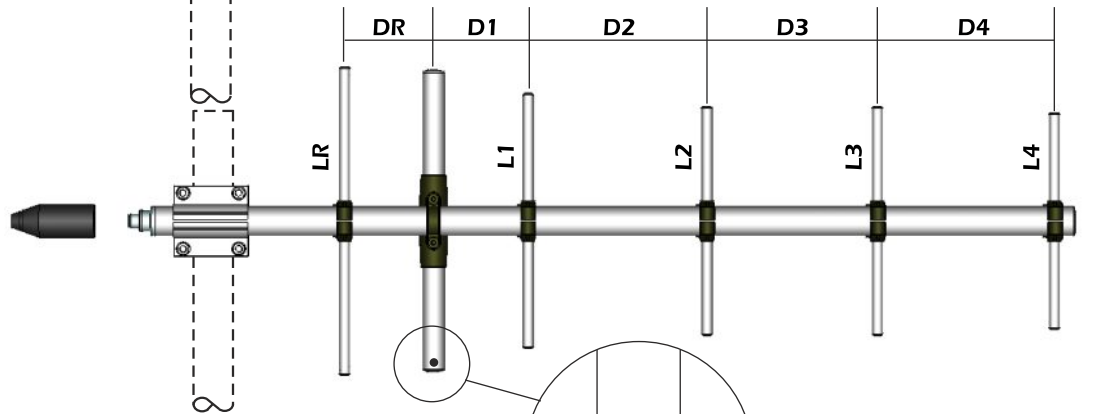


MOUNTING INSTRUCTIONS

**Correct mounting
for horizontal
polarization**



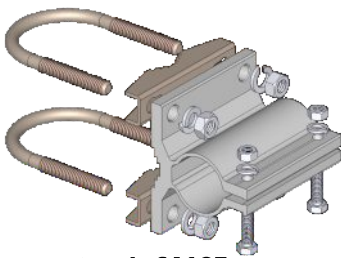
**Correct mounting
for vertical
polarization**



**If mounted for vertical
polarization place the
draining hole at the bottom.**

		LR	L1	L2	L3	L4	DR	D1	D2	D3	D4
WY 380-10N	(mm)	396	288	271	260	250	130	109	201	230	207
	(in)	15.6	11.3	10.7	10.2	9.8	5.1	4.3	7.9	9.1	8.1
WY 400-10N	(mm)	371	271	255	243	236	130	102	190	218	195
	(in)	14.6	10.7	10.0	9.6	9.3	5.1	4.0	7.5	8.6	7.7

Standard Mounting Bracket



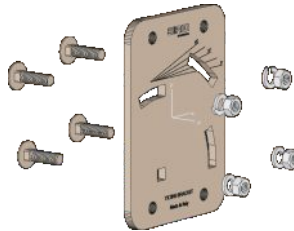
Spare parts: p/n SA197

Materials: extruded aluminum
Hardware: stainless & zinc plated steel
Dimensions : 80 x 76 x 65 mm
Weight: 460 gr

Part list

Q.ty	Description
1	Extruded aluminium bracket
2	Steel bracket
2	M8x200 U-bolt
4	M8 Grower washer
4	M8 Hexagonal nut
2	M6x20 Hexagonal head screw
2	M6 Grower washer
2	M6 Hexagonal nut

Tilting Bracket*



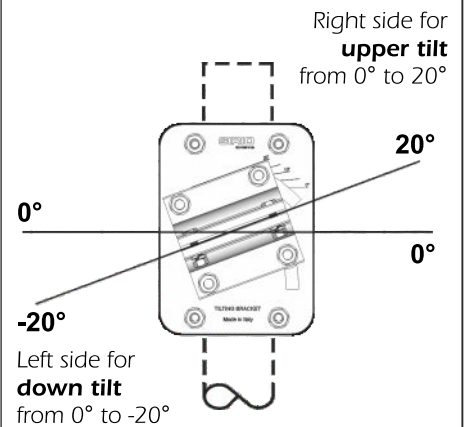
Order p/n: 2519803.00

Materials & Hardware: zinc plated steel
Dimensions: 110 x 150 x 6 mm.
Weight: 800 gr

Part list

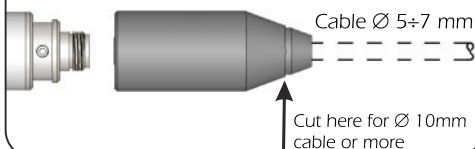
Q.ty	Description
1	10x150x6 Tilting bracket
4	M8x25 Spheric head screw
4	M8 Grower washer
4	M8 Hexagonal nut

Mounting example



* **Optional (not included).**

Connector protection cap Re-order code: TE06416



Stacking and Baying distance

WY380-3N: L=370mm; 14.5in. S=530mm; 20.8in
WY400-3N: L=350mm; 13.8in. S=500mm; 19.7in

