

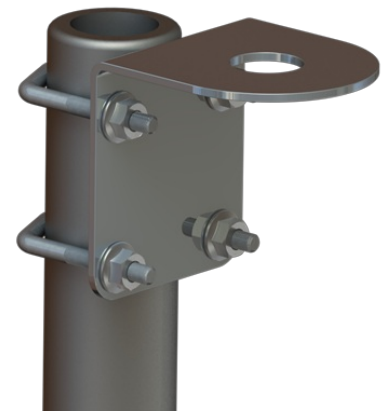
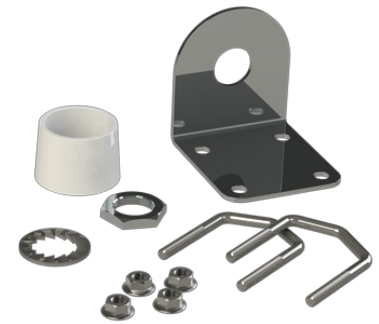
WALL/RAIL MOUNT (Ø 16.5 MM)

Stainless steel Mast/Wall/Rail Mount (Ø 16.5 mm)

- Polished stainless steel bracket for installation of marine and base station antennas on horizontal or vertical rail Ø 10 - 30 mm or on mast/wall
- Stainless steel mounting hardware included

MECHANICAL SPECIFICATIONS

Color	Polished
Weight	210 g (Mounting hardware included)
Mounting	On rail with supplied U-bolts
Mounting place	On horizontal or vertical rail (Ø 10 - 30 mm) or on side of mast etc.
Mounting Instruction	NOTE! Not suitable for heavy type antennas
Mounting hole	Ø 16.5 mm for antenna
Materials	Stainless steel, ABS, chrome plated solid brass and rubber
For Antenna Types	All Marine and Base Station antennas with N or UHF end-feeding connectors



ORDERING INFORMATION

P/N	10000-141 (Individually packing in Polybag)
-----	---

PACKAGING INFORMATION

Type	Bulk packing or individually packing in Polybag or Carton box (See "ORDERING INFORMATION")
weight	Approx. 250 g

